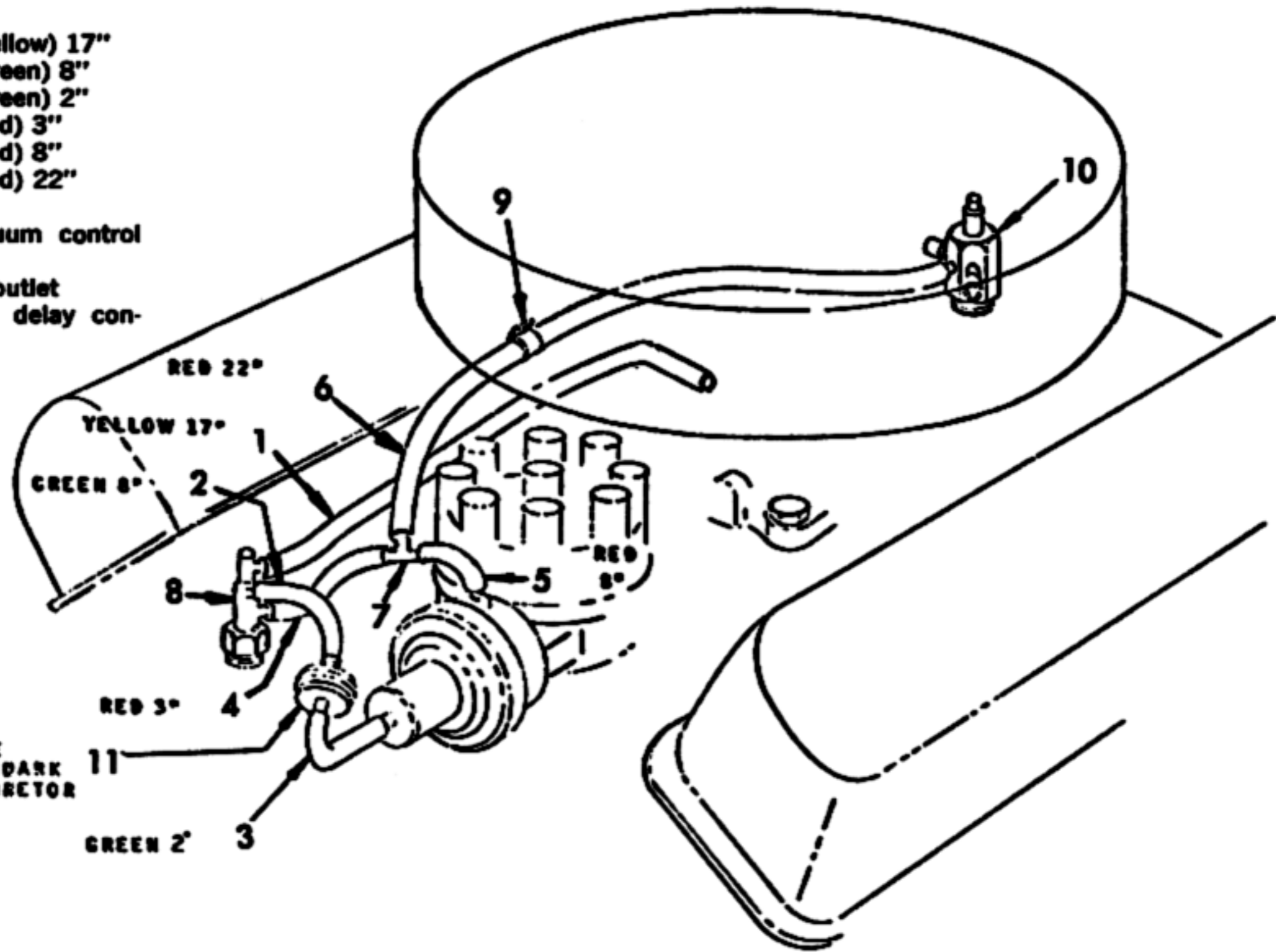


- 1 Hose—dist. vacuum (yellow) 17"
- 2 Hose—dist. vacuum (green) 8"
- 3 Hose—dist. vacuum (green) 2"
- 4 Hose—dist. vacuum (red) 3"
- 5 Hose—dist. vacuum (red) 8"
- 6 Hose—dist. vacuum (red) 22"
- 7 Tee—3 way
- 8 Valve assy.—dist. vacuum control
- 9 Clip—wiring
- 10 Fitting—int. man. vac. outlet
- 11 Valve assy.—dist. vac. delay control



**SPARK DELAY VALVE
-12A109 - INSTALL DARK
SIDE TOWARD CARBURETOR
SPARK PORT**