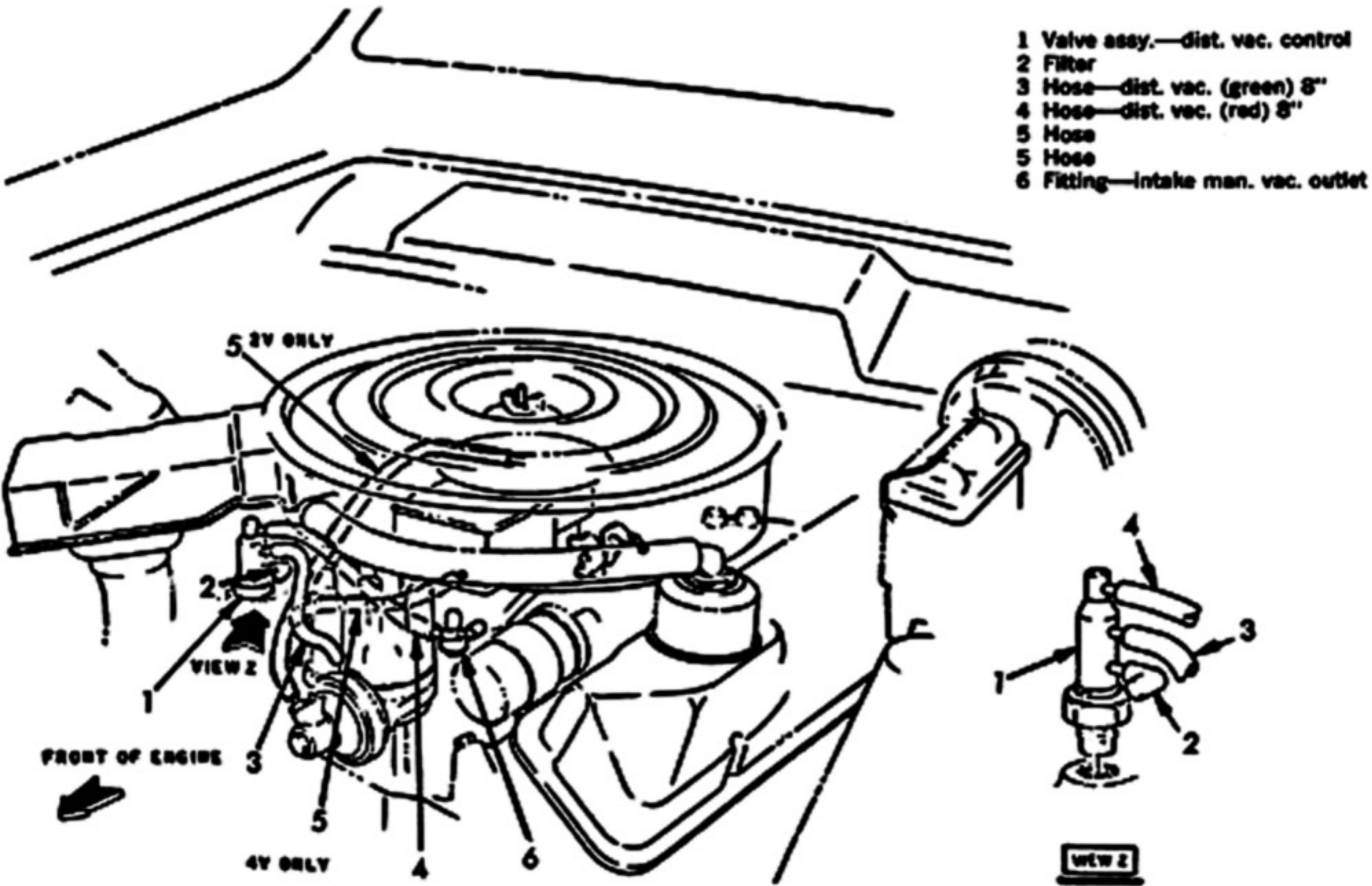


- 1 Valve assy.—dist. vac. control
- 2 Filter
- 3 Hose—dist. vac. (green) 8"
- 4 Hose—dist. vac. (red) 8"
- 5 Hose
- 5 Hose
- 6 Fitting—intake man. vac. outlet



5 2V ONLY

VIEW 2

FRONT OF ENGINE

4V ONLY

VIEW 2