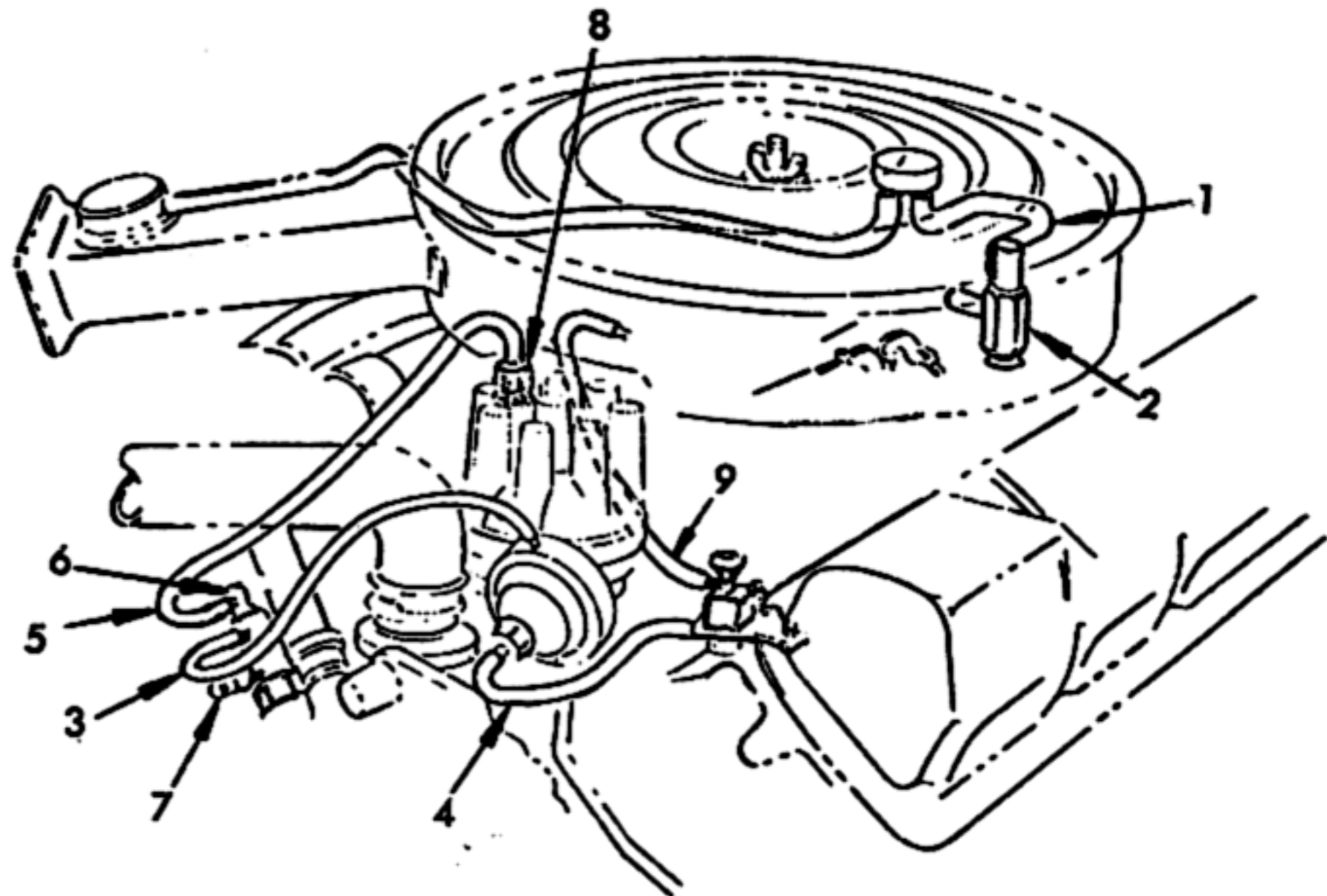


- 1 Hose—distributor vacuum (blue) 10"
- 2 Fitting assy.—int. man. vac. outlet
- 3 Hose—dist. vacuum (red) 11"
- 4 Hose—dist. vacuum (yellow) 9"
- 5 Hose—dist. vacuum (red) 14"
- 6 Valve assy.—dist. vac. control
- 7 Filter assy.
- 8 Fitting intake man. vac. outlet
- 9 Hose—dist. vacuum (black) 14"




FRONT OF ENGINE